



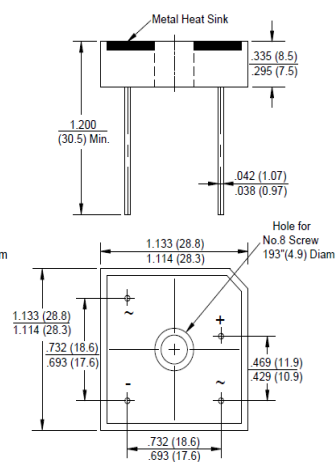
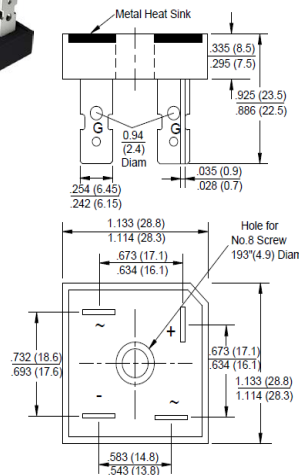
Features

- ✧ Glass passivated junction
- ✧ The plastic material used carries Underwriters Laboratory Flammability
- ✧ Recognition 94V-0 Integrally molded heatsink provide very low thermal resistance for maximum heat dissipation
- ✧ Universal 4-way terminals; snap-on, wrap-around, solder or P.C. board mounting
- ✧ Surge overload ratings 500 amperes
- ✧ Typical I_R less than 0.2 μA
- ✧ High temperature soldering guaranteed: 260°C / 10 seconds / .375", (9.5mm) lead lengths
- ✧ Isolated voltage from case to lead over 2500 volts



GBPC

GBPC-W



Dimensions in inches and (millimeters)

Maximum Ratings and Electrical Characteristics

Rating at 25°C ambient temperature unless otherwise specified.

Single phase, half wave, 60 Hz, resistive or inductive load.

For capacitive load, derate current by 20%

Type Number	Symbol	GBPC 50005	GBPC 5001	GBPC 5002	GBPC 5004	GBPC 5006	GBPC 5008	GBPC 5010	Units
Maximum Recurrent Peak Reverse Voltage	V_{RRM}	50	100	200	400	600	800	1000	V
Maximum RMS Voltage	V_{RMS}	35	70	140	280	420	560	700	V
Maximum DC Blocking Voltage	V_{DC}	50	100	200	400	600	800	1000	V
Maximum Average Forward Rectified Current @ $T_C=55^\circ C$	$I_{(AV)}$	50.0							A
Peak Forward Surge Current, Single Sine-wave Superimposed on Rated Load (JEDEC method)	I_{FSM}	500							A
Maximum Instantaneous Forward Voltage Drop Per Element at Specified Current@25A	V_F	1.1							V
Maximum DC Reverse Current at Rated DC Blocking Voltage Per Element	I_R	10							μA
Typical Thermal Resistance (Note 1)	$R_{\theta JC}$	1.5							$^\circ C/W$
Operating and Storage Temperature Range	T_J, T_{STG}	-50 to +150							$^\circ C$

Notes: 1. Thermal Resistance from Junction to Case.

2. Suffix "M" - Terminal Location Face to Face.



GBPC50005(W)-GBPC5010

High Current 50 AMPS.Single Phase Glass Passivated Bridge Rectifiers



RATINGS AND CHARACTERISTIC CURVES

FIG1:Io-Tc Curve

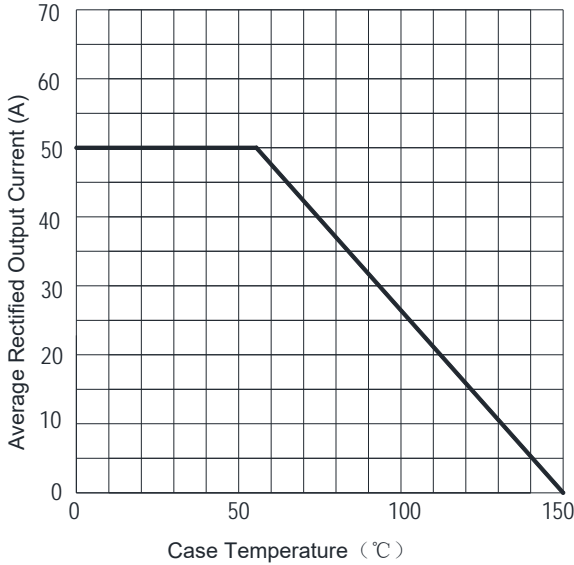


FIG2:Surge Forward Current Capability

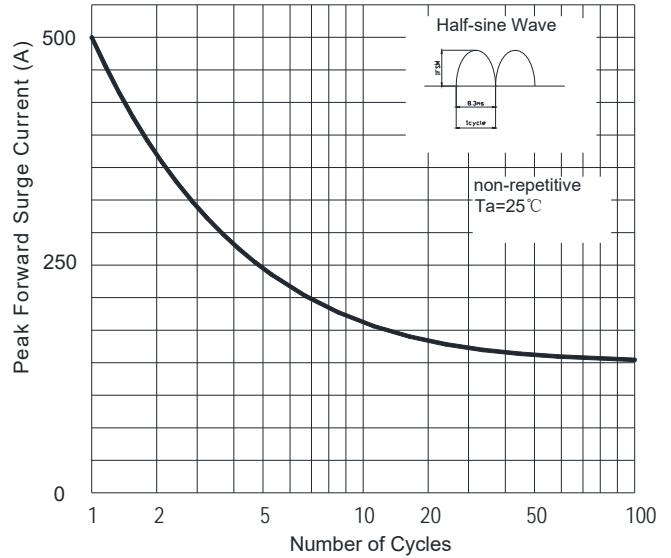


FIG3:Instantaneous Forward Voltage

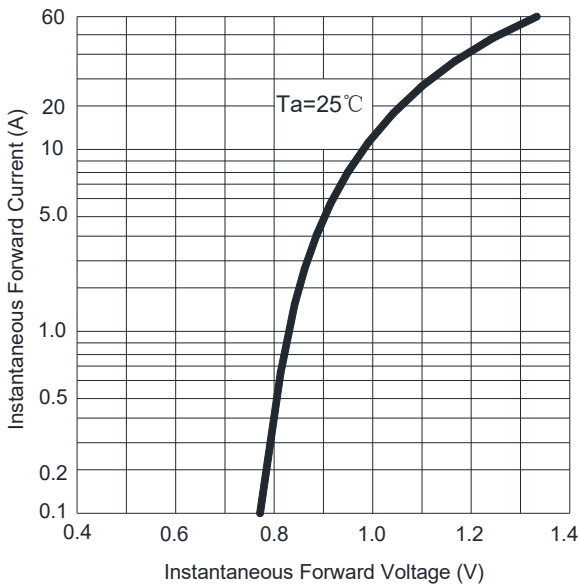


FIG4:Typical Reverse Characteristics

